



# RELEASE NOTES

[info@promine.com](mailto:info@promine.com)



## **Release Notes 2020.04**

This document contains the descriptions of new commands and improvements that are included in the **2020.04** version of Promine. These are valid from the release of the version the **April 14, 2020**.

### **Copyright**

© 2020 Promine Inc. All rights reserved. It is strictly prohibited to copy, distribute or otherwise deal with this document except in accordance with the Promine End User License Agreement.

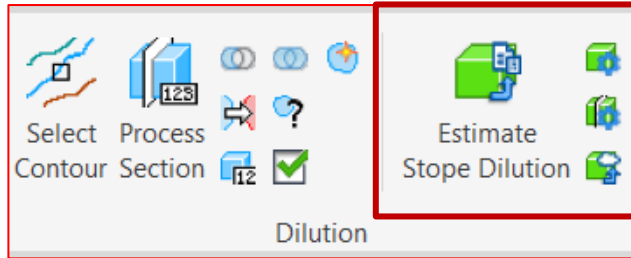
## Table of Contents

<b>New Features .....</b>	<b>1</b>
<b>Module: Dilution.....</b>	<b>1</b>
 DILAIP – Set Stope .....	1
 DILAIS – Process Stope Sections.....	2
 DILAIEX – Export to SMARTDIL.....	2
 DILAISE – Estimate Stope Dilution with SMARTDIL .....	2
<b>Improvements .....</b>	<b>3</b>
<b>Module: Grid.....</b>	<b>3</b>
GRD – Create Layout.....	3
<b>Module: Solids .....</b>	<b>3</b>
PROMHIGHLIGHTSELFINTERSECT – Check Mesh .....	3
PROMCH – Close Mesh.....	4
<b>Module: Diamond Drillholes .....</b>	<b>4</b>
DDHW – Warnings .....	4

## New Features

### Module: Dilution

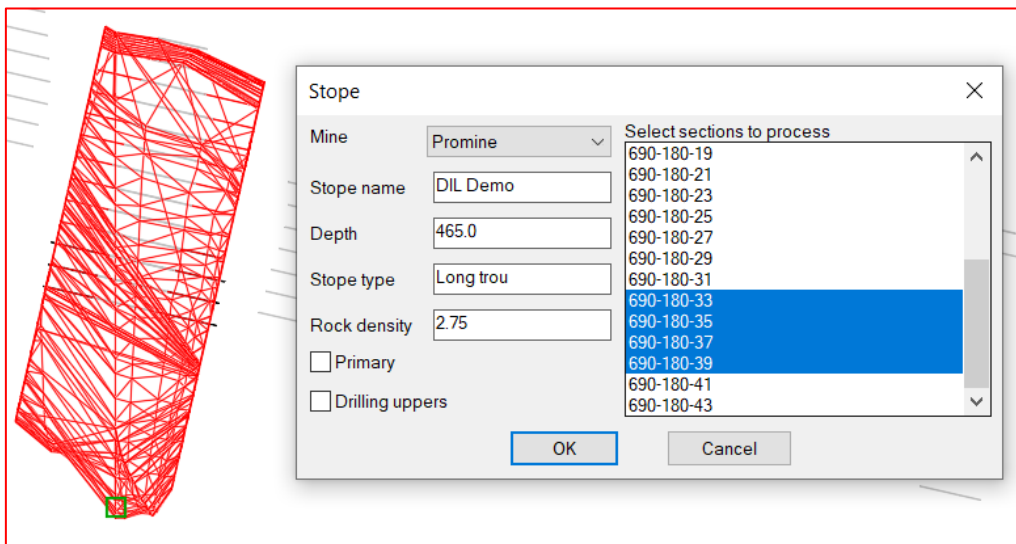
Added a whole new section in our Dilution module under the Engineering 2 category that corresponds to the SMARTDIL interface.



SmartDIL is an artificial intelligence tool for predicting and controlling dilution and ore losses in underground mines.

### DILAIP - Set Stope

This command defines the general information about the stopes and sections that will be processed.

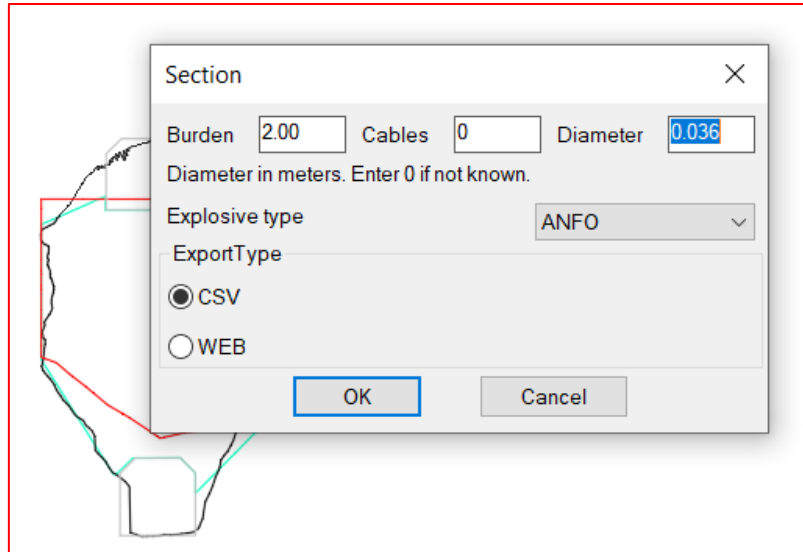


The command will allow you to define the stope initial and end points and define the sections that will be processed.



## DILAIS – Process Stope Sections

This command will help the user specify multiple data about each stope section. It calculates the metrics and sends them into a CSV file or directly to SMARTDIL. This command will allow you to define the planned contour, actual contour, the top drift contour, the backfill contour and the burden of your sections.



## DILAIX – Export to SMARTDIL

This command exports the result of the stope sections processed (DILAIS) into a database that can be sent to SMARTDIL. The options of the dilution module allows you to configure databases that will be exported to SMARTDIL.



## DILAISE – Estimate Stope Dilution with SMARTDIL

This command estimates the dilution of your stope selected using SMARTDIL. A dialog box that contains information about your stope (rock density, burden, drilling distance, cables, explosive type, etc.) will pop up to confirm that the information entered is correct. Once the information has been confirmed to be correct, SMARTDIL, will show you the dilution that corresponds to the sections processed. Here you can make changes on the information entered to obtain a prediction of the dilution.

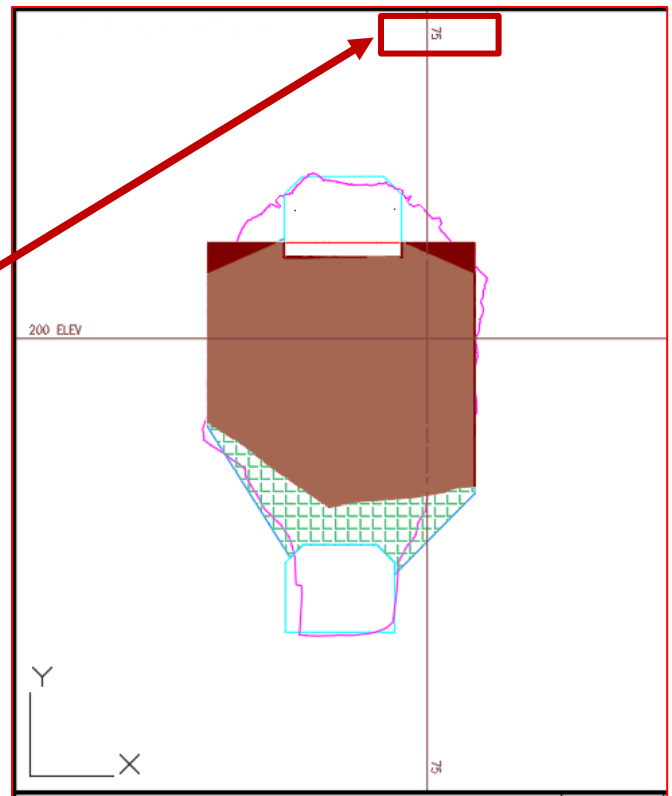
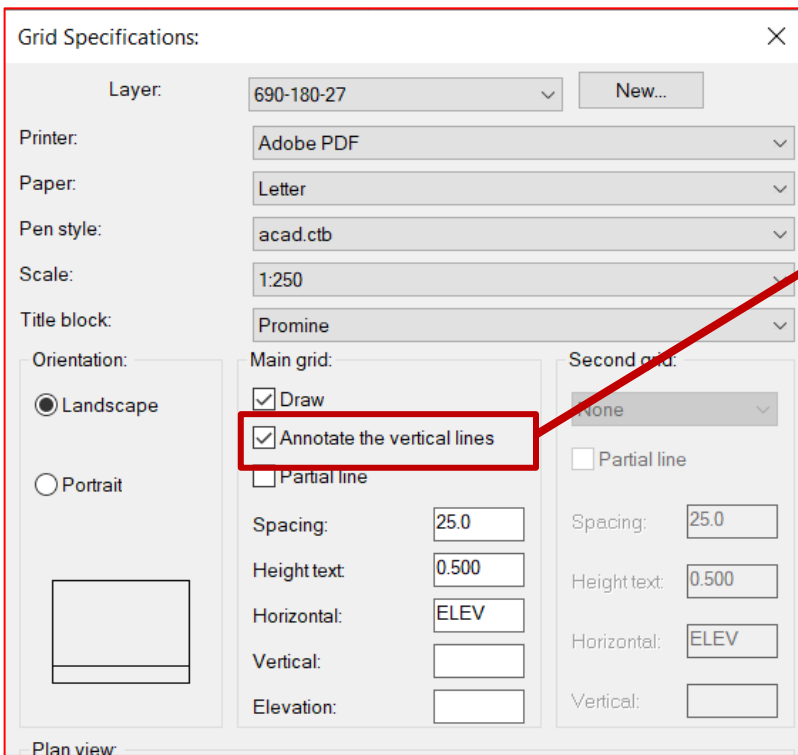
For more information about SMARTDIL contact us at [info@promine.com](mailto:info@promine.com).

## Improvements

### Module: Grid

#### GRD – Create Layout

An option to display the labels on the Y axis of the grid in the layout of a section now can be enabled or disabled in the dialog box of the command GRD.



### Module: Solids

#### PROMHIGHLIGHTSELFINTERSECT – Check Mesh

The performance of the command was improved. This will allow the user to analyze big meshes in less time.

## PROMCH – Close Mesh

The performance of the command was improved. This will allow the user to analyze big meshes in less time.

## Module: Diamond Drillholes

### DDHW – Warnings

A toggle was added to the customization of the annotations of DDH warnings to avoid superposition of hole name. The program might take some more time to adjust the annotations if there are too many in the drawing.

